

# flexible spaces all the right places...



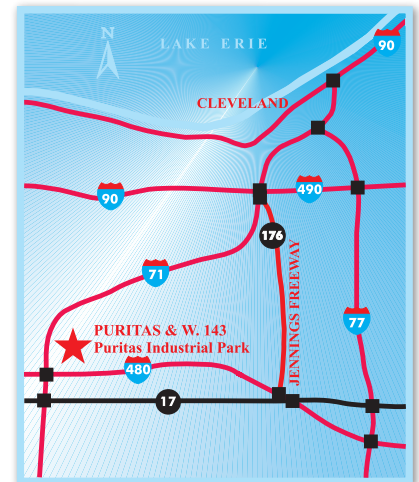
...Puritas Business Centre I  
4455-4505 & 4517-4521 West Parkway, Cleveland, Ohio



...Puritas Business Centre III A & B  
13929-13981 Industrial Parkway, Cleveland, Ohio

**“Flexible Spaces in All the Right Places”** is what Fogg had in mind when designing their large portfolio of office, industrial and office/warehouse (flex) properties. Strategically located near major freeways in northeast Ohio, Fogg’s properties offer flexible floor plans, truck access and lease terms, as well as expansion opportunities for their growing customers.

Located in the I-480/I-71 corridor on the west side of Cleveland, Ohio, Puritas Industrial Park is easily accessible from I-480, I-71, and West 150th Street. Fogg’s Puritas Industrial Park properties offer office/warehouse space ranging from basic small efficient spaces, to large distribution and manufacturing space in the heart of Cleveland’s west side industrial market.



“I have worked with various property managers finding corporate expansion facilities for the last twenty-five years in five different States and by far Ray Fogg Corporate Properties management services has the smoothest operations and the nicest people to work with.”

- E & R Industrial

“We have been pleased with the responsiveness of the entire Fogg organization. They are professional and a straightforward business partner.” - Virginia Tile Company



216.351.7976  
fogg.com

# STANDARD BUILDING SPECIFICATIONS

## Puritas Business Centre I & Puritas Business Centre III A & B

The following information is a general description of the project. Please see the Individual Space Specifications for more details on each available space.



### LOCATION & ACCESS

#### Shared Features

- 6 miles from downtown Cleveland and 2 miles from Cleveland Hopkins International Airport
- Access to I-480 and I-71 at West 130th St. and West 150th St.

#### Puritas Business Centre I

- 3.45 acre site south of Puritas Rd. at West 143rd St. in Cleveland, Ohio

#### Puritas Business Centre III A & B

- 9.45 acre site at the junction of West Parkway and Industrial Parkway in Cleveland, Ohio

### PROPERTY DATA

- Puritas Business Centre I: 56,058 SF
- Puritas Business Centre III A: 78,320 SF
- Puritas Business Centre III B: 60,320 SF

### EAVE HEIGHT

- 20'

### COLUMN SPACING

- Puritas Business Centre I: 28' x 40'
- Puritas Business Centre III A & B: 25' x 40'

### TRUCK ACCESS

#### Puritas Business Centre I

- Truck docks: 4' recessed with insulated metal industrial doors and angled exterior concrete platforms
- Drive-Ins: with insulated metal industrial doors
- Personnel: 20 gauge flush hollow metal doors

#### Puritas Business Centre III A & B

- Truck docks: with insulated metal industrial doors
- Drive-Ins: insulated metal industrial doors
- Personnel: 20 gauge flush hollow metal doors

### ROOF

#### Puritas Business Centre I

- Insulated, aluminized steel standing-seam; single sloped

#### Puritas Business Centre III A & B

- 2" standing seam, 24 gauge aluminized steel, single sloped with 4" vinyl faced insulation (U=.08, R=13) supported by wire mesh

### EXTERIOR WALLS

#### Puritas Business Centre I

- 24 gauge insulated metal panels

#### Puritas Business Centre III A & B

- 8" split face block
- 3" interlocking metal panels with 3" insulation (U=.10, R=3) and pebble-grained finish

### FLOOR

- 5" reinforced concrete

### WAREHOUSE LIGHTING

- Fluorescent fixtures

### SPRINKLER SYSTEM

#### Puritas Business Centre I:

- None

#### Puritas Business Centre III A & B:

- Wet / Ordinary hazard

### HVAC

- Warehouse: gas-fired unit heater, (Heating: 60°F temperature difference at 0°F outside)
- Office: gas-fired furnace with electric air conditioner, (Heating: 68°F temperature difference at 0°F outside; Air Conditioning: 15°F temperature difference at 90°F outside)

### OFFICE AREAS

- Partitions: 5/8" drywall on 3-5/8" metal studs
- Ceiling: 2' x 4' acoustical tile on suspended T-grid system
- Floor: commercial grade carpeting and/or vinyl tile (VCT)
- Entrance Doors: glass with aluminum tubular frames
- Interior Doors: 1-3/8" flush birch doors with hardware
- Windows: insulated glass with aluminum tubular frames
- Paint: two coats of Latex on drywall; enamel on door frames
- Plumbing: surface mounted water closets and lavatories

### PARKING & DRIVES

#### Puritas Business Centre I

- Automobile Parking: asphalt
- Truck Drives / Ramps: concrete and asphalt

#### Puritas Business Centre III A & B

- Automobile Parking: 4" concrete and asphalt
- Truck Drives / Ramps: 7" concrete

### UTILITIES

- Electric: The Illuminating Co.
- Gas: Dominion East Ohio
- Telephone: AT&T
- Water: City of Cleveland
- Sanitary & Storm Sewer: City of Cleveland



Puritas Business Centre I & III A & B

# ***FOR LEASE***

2,180 Sq. Ft. Warehouse  
13945 West Parkway, Cleveland, Ohio

---

## **Individual Space Specifications**

### **Puritas Business Centre 1**

<b>Office Area:</b>	0 SF
<b>Warehouse Area:</b>	<u>2,180</u> SF
<b>Total Area:</b>	2,180 SF
<b>Unit Number:</b>	13945
<b>Drive-in Doors:</b>	One (1) 12' x 14' overhead door
<b>Truck Docks:</b>	N/A
<b>Eave Height:</b>	20'
<b>Column Spacing:</b>	28' x 40'
<b>Electricity:</b>	120/208 Volt, 60 Amp, 3 phase, 4 wire service
<b>Lighting:</b>	High lumen T8 lamps and instant start, electronic ballasts: <ul style="list-style-type: none"><li>• Energy efficient (50% less consumption than traditional T12 lighting)</li><li>• Only 7% luminary depreciation over the life of the bulb</li></ul>
<b>Sprinklers:</b>	None
<b>Estimated Operating Costs:</b>	\$1.49/SF/YR based upon budget costs for 2020.

Operating cost estimates are based on Real Estate Taxes, Building Insurance, Common Area Maintenance and Property Management Fees for the year and the square footage listed above. Costs may vary in the future. Common Area Maintenance includes only the maintenance items performed by the owner for the benefit of the entire project, such as snowplowing, lawn care, backflow prevention test and general exterior maintenance, etc.



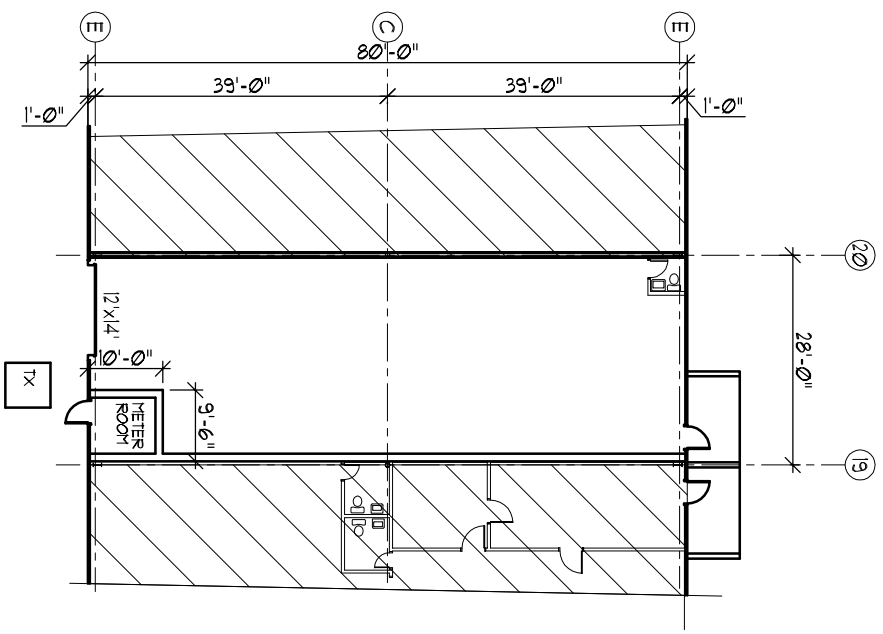
**flexible spaces**  
**all the right places.**

Mark Ray, Vice President  
216-351-7976, ext. 244  
markray@fogg.com

Tom Blaz, Leasing Associate  
216-351-7976, ext. 273  
tblaz@fogg.com

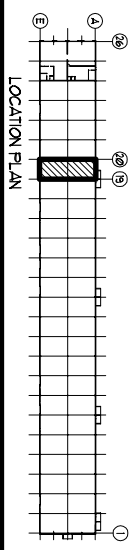
**fogg.com**

NO.	REVISION	DATE



**FLOOR PLAN**

2,180 SF TOTAL



LOCATION PLAN



**RAY FOGG CORPORATE PROPERTIES, LLC**

381 KENNOTE CIRCLE, SUITE 15  
BROOKLYN HEIGHTS, OHIO 44131

**PURITAS BUSINESS CENTRE I**  
1945 WEST PARKWAY  
CLEVELAND, OHIO



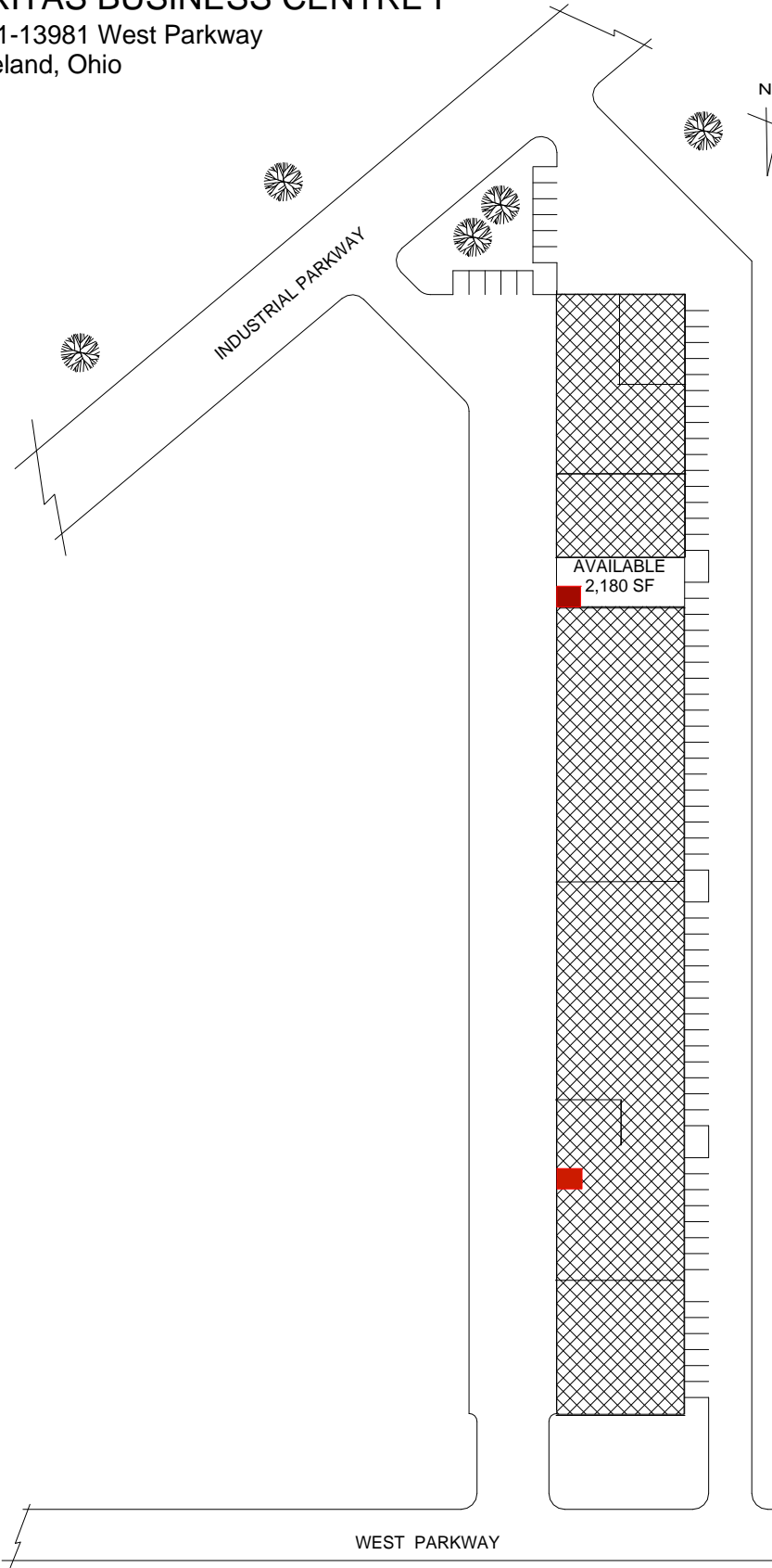
**RAY FOGG BUILDING METHODS, INC.**  
381 KENNOTE CIRCLE, SUITE 15, CLEVELAND, OHIO 44131  
PHONE (216) 881-7000

DATE	REVISION	BY	CHK
1-1			
4-09			
2-09			
1-4			
DWG			

(216) 351-1916  
1-877-729-3644


# PURITAS BUSINESS CENTRE I

13921-13981 West Parkway  
Cleveland, Ohio



**ENGINEERS CONTRACTORS DEVELOPERS**

DRAWN	CHECKED	DATE	DRAWING NO.
FF			pbc1-d

 Utility / Meter Room